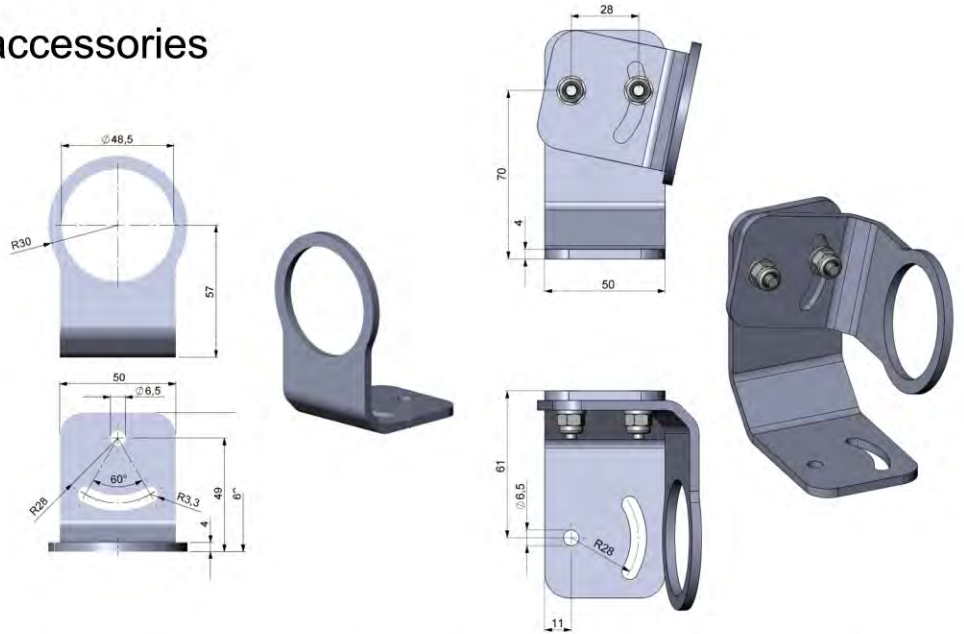


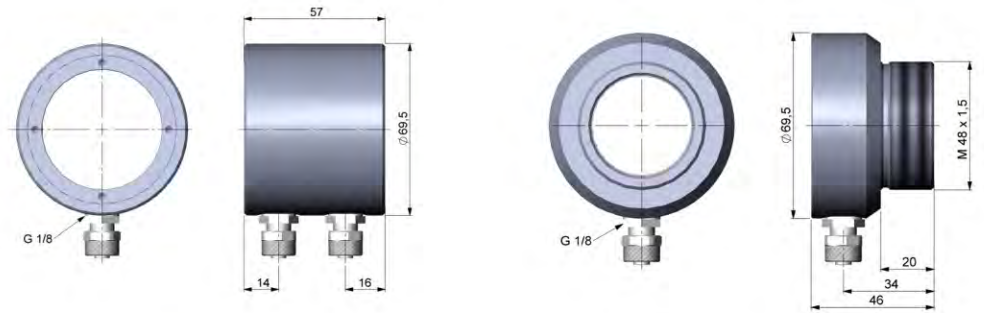
# CTlaser Mechanical accessories



CTlaser with water cooled housing and air purge collar

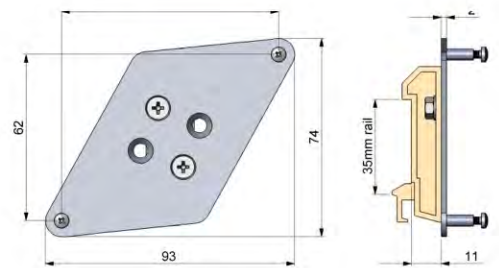
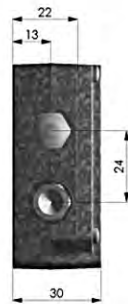
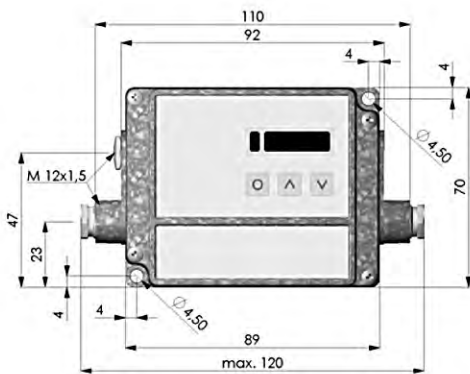
Mounting bracket (fixed) for CTlaser

Mounting bracket (adjustable) for CTlaser



Water cooled housing for CTlaser

Air purge collar for CTlaser



Electronics for CTlaser

DIN rail mount adaptor for CT electronics